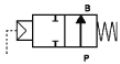


## 2/2 WAY PISTON VALVE G 1/2" ÷ 2" NORMALLY OPEN; STAINLESS STEEL



**normally open  
flow under seat**

**TYPE: REGULAR NO**

### TECHNICAL SPECIFICATIONS

Media: water, oil, air, aggressive media and steam <sup>(1)</sup>  
 Media temperature: -10°C ... +180°C  
 Ambient temperature: -10°C ... +60°C  
 Pilot media: air, inert gases, water  
 Body material: cast AISI 316L (see page 36)  
 Bonnet material: cast AISI 316L (see page 36)  
 Actuator body material: Polyamide PA6 (reinforced fiberglass 30%)  
 Seal material: PTFE type TFM 1600  
 Position indicator as standard  
 Valves DN32÷DN50 complying with 97/23 EC Directive Category I

### BENEFITS

Waterhammer-free design  
 Actuator housing rotation 360°  
 For vacuum applications up to 10<sup>-2</sup> mbar

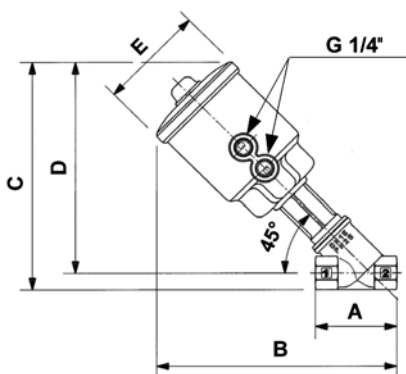
### OPTIONS

Manual override (ex. code RPG205STWM0) see page 24  
 Stroke regulator (ex. code RPG210STJR0) see page 24  
 Travel switch (ex. code RPG208LTZJ0) see page 24  
 NPT connection (ex. code RPN205STW00)  
 Weld ends see page 17



SELECTION TABLE	VALVES	connection	DN orifice	Flow rate Kvs	Working pressure <sup>(1)</sup>		Flow direction	Pilot pressure <sup>(2)</sup>		Actuator ø
	Code	(ISO 228 G)	(mm)	(l/min)	min (bar)	max (bar)	(2ĭ 1)	min (bar)	max (bar)	(mm)
	RPG205STW00	1/2"	15	87	0	16	under seat	2.5	10	63
	RPG206STX00	3/4"	20	164	0	16	under seat	4.3	10	63
	RPG207STY00	1"	25	260	0	16	under seat	5.5	10	63
	RPG208STZ00	1 1/4"	32	410	0	16	under seat	6.5	10	63
	RPG209STK00	1 1/2"	40	700	0	16	under seat	9	10	63
	RPG210STJ00	2"	50	950	0	12	under seat	9.4	10	63
	RPG207LTY00	1"	25	260	0	16	under seat	3	8	90
	RPG208LTZ00	1 1/4"	32	410	0	16	under seat	4	8	90
	RPG209LTK00	1 1/2"	40	700	0	16	under seat	5	8	90
	RPG210LTJ00	2"	50	950	0	16	under seat	7	8	90

(1) Steam: Max. working pressure 10 bar (9 barg); - (2) Minimum pilot pressure at max. working pressure; for lower working pressure see selection charts;



DIMENSIONS & WEIGHTS	Connection	Actuator ø	A	B	C	D	E	weight
	(ISO 228 G)	(mm)	(mm)	(mm)	(mm)	(mm)	(mm)	(kg)
	1/2"	63	65	192	184	171	85	1.2
	3/4"	63	75	198	192	176	85	1.3
	1"	63	90	212	205	185	85	1.5
	1 1/4"	63	110	225	217	193	85	1.9
	1 1/2"	63	120	230	225	198	85	2.1
	2"	63	150	248	241	207	85	2.9
	1"	90	90	223	216	196	112	2.0
	1 1/4"	90	110	234	227	202	112	2.4
	1 1/2"	90	120	239	235	207	112	2.6
	2"	90	150	257	250	216	112	3.3