

## STAINLESS STEEL ACTUATORS FOR M&M PAV SERIE M AND G, DN 15 ÷ 50 FOR USE IN POTENTIALLY EXPLOSIVE ATMOSPHERES - II 2 GD c TX CLASS -

Compact stainless steel actuators available in two sizes: Ø 63 and Ø 90.

Suitable for demanding installations where the use of metallic components is recommended because of the presence of chemical agents in the atmosphere, in case of frequent cleaning operations or if there is the necessity to avoid any accidental collision. These actuators are suitable for any M&M PAV body version: threaded (GAS, NPT), with weld ends (butt/socket), flanged, with clamp ends.

### TECHNICAL SPECIFICATIONS

Protection class: II 2 GD c TX
Media: water, oil, air, aggressive media and steam
Media temperature: -10°C ÷ +180°C (standard version)
Media temperature: -10°C ÷ +200°C (high temperature version)
Ambient temperature: -10°C ÷ +80°C
Pilot media: air, inert gases
Actuator body material: ASTM A 351 CF8 (AISI 304)
Position indicator as standard
Valves DN32-DN50 complying with 97/23 Directive Category I

### BENEFITS

Actuator housing rotation 360°
High resistance to external agents, shocks

### OPTIONS

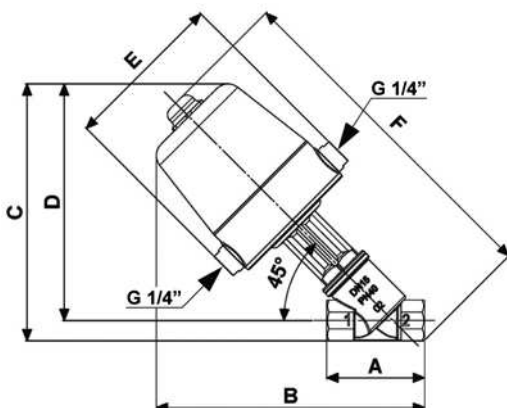
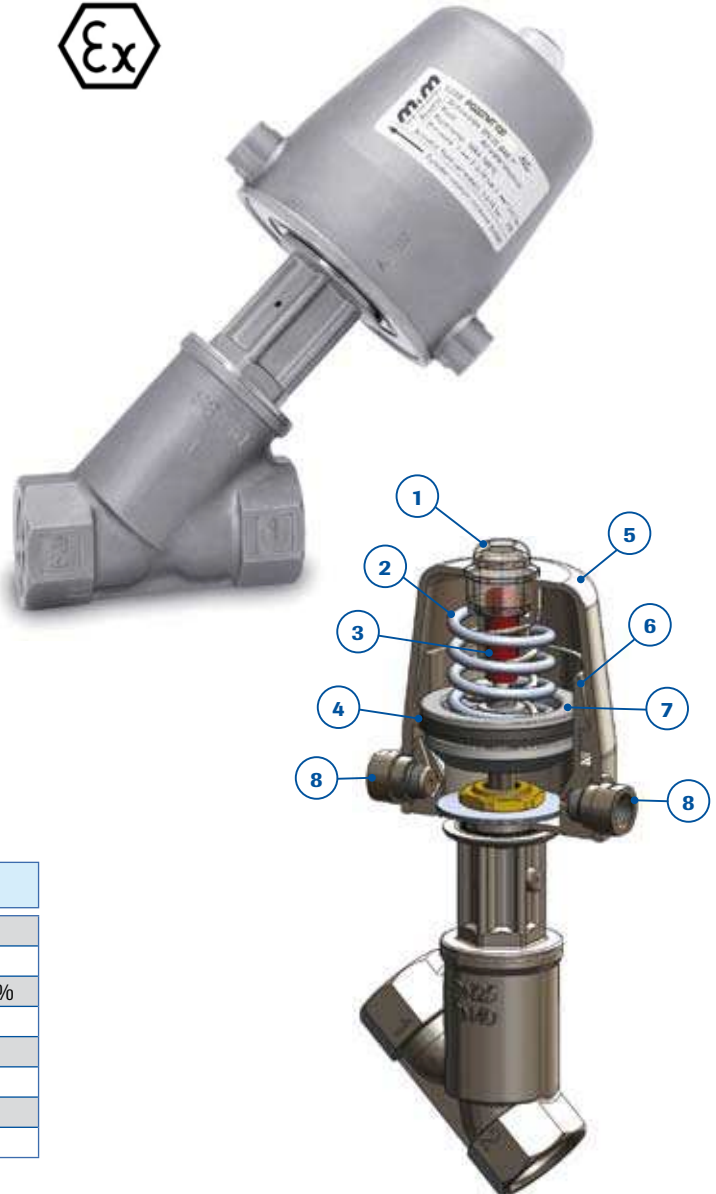
Version suitable for low ambient/media temperature (e.g. Code BPG207MTY0L)
--

For more general information and technical specifications, please refer to our standard valve data sheets.

For example: **PG205MTW00** (actuator Ø 63) matches with PG205STW00, and **PG210GTJ00** (actuator Ø 90) matches with PG210LTJ00.

Pos.	Description	Material
1	Transparent cup	Polycarbonate
2	Spring	Galvanized stainless steel
3	Red position indicator	PA6 reinforced fiberglass 30%
4	Seal	FKM
5	Actuator cap	ASTM A 351 CF8 (AISI 304)
6	Actuator housing	ASTM A 351 CF8 (AISI 304)
7	Piston	Alluminium
8	Locknut	AISI 303

### SERIE M AND G



### DIMENSIONS & WEIGHTS

Connection	Actuator Ø	A	B	C	D	E	F	Weight
[ISO 228 G]	[mm]	[mm]	[mm]	[mm]	[mm]	[mm]	[mm]	[kg]
1/2"	63	65	178	171	157	108	228	2.3
3/4"	63	75	184	178	162	108	239	2.4
1"	63	90	200	200	172	108	258	2.6
1 1/4"	63	110	211	204	180	108	275	3.1
1 1/2"	63	120	216	212	184	108	284	3.4
2"	63	150	234	227	193	108	307	4.1
1"	90	90	208	201	181	135	260	3.6
1 1/4"	90	110	221	213	189	135	278	4.1
1 1/2"	90	120	226	221	194	135	286	4.3
2"	90	150	244	236	202	135	310	5.1